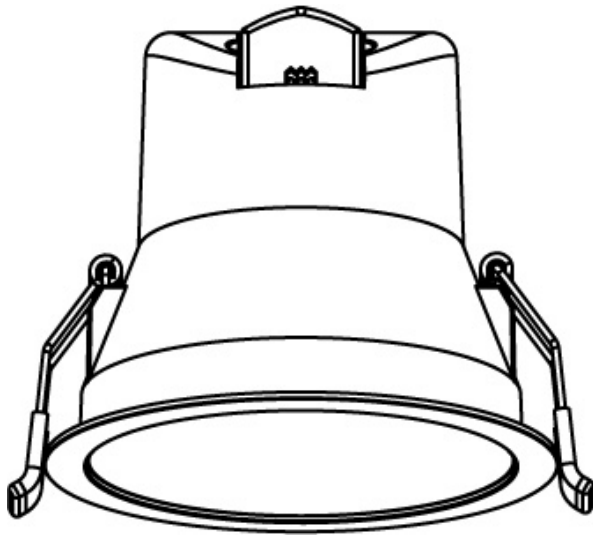


LED Down Light Series

LED DOWN LIGHT INSTRUCTION



CE RoHS

Description:

It adopts high brightness and high quality LED as luminous body with low-voltage constant current driver. Low power consumption, long lifespan, and high safety. Housing is made of anti-UV and heat-resistant plastic, which looks elegant and stylish.

Good thermal management ensures stable working of LED, and controls light attenuation effectively. Perfect optical design ensures light softly and evenly.

Easy to operate, Instant lighting on, no flickers, no glare. Free of lead, mercury and other harmful substances.

This product is widely used in shopping mall, hotel, restaurant and etc. It's the good substitute of halogens.

Triac dimmable. (be suitable to both trailing edge and leading edge dimmer.)

Notes:

- ◆ Only qualified electrician is allowed to do the installation, maintenance and inspection for safety concern. It is dangerous for non-professional operator.
- ◆ Ceiling-installation only.
- ◆ Do not install the product in high temperature or humid place.
- ◆ 75mm space should be left around the product for ventilation, no cover on the light at any time
- ◆ Storage conditions: room temperature dry environment.

Installation:

Picture 1. Turn off the power.

Picture 2. Drill a suitable mounting hole on ceiling according to size requirement of different item.

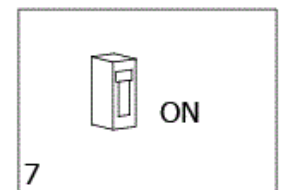
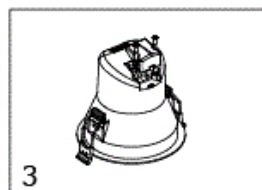
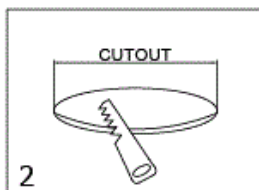
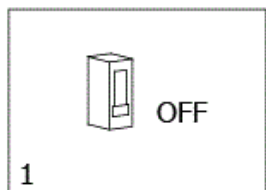
Picture 3. Open the line pressing cover with cross screwdriver.

Picture 4. Connect input cable end of LED fixture to suitable power socket(220-240V), and make sure connecting way is right. Make sure the two connectors inserted into the terminal at the same time when connecting the wire to the input end of the lamp.

Picture 5. Close the line pressing cover with cross screwdriver; make sure the power line fixed tightly.

Picture 6. Pinch both springs, then push light into installation hole, hangers rebound and chuck automatically. Make sure the light fixed well.

Picture 7. Double-check everything is well-connected, and then turn on the power.

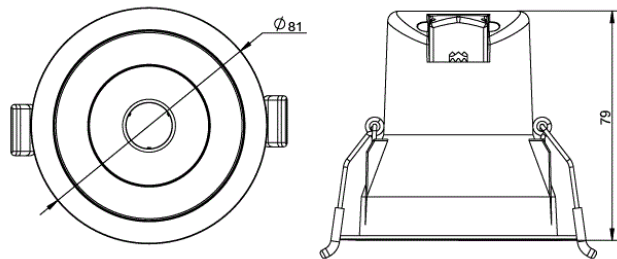


LED Down Light Series

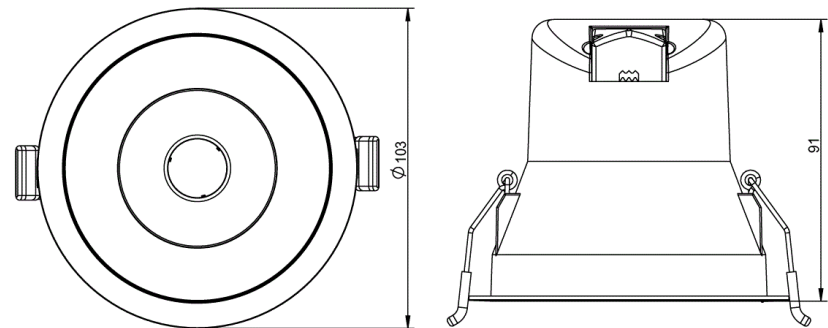
Item No.	DR-MW068			DR-MB068			DR-MW090			DR-MB090		
Input Voltage	220-240V AC						220-240V AC					
Current(A)	0.04						0.07					
Power (W)	6W						9W					
Power factor(PF)	0.9						0.9					
Color Temperature (K)	5000K	4000K	3000K	5000K	4000K	3000K	5000K	4000K	3000K	5000K	4000K	3000K
Luminous Flux	540	540	500	450	450	420	900	900	810	730	730	680
Cutout (mm)	φ 68- φ 73						φ 90- φ 95					
Lifespan (h)	30000											
Protection Rate	IP44											
Working Temperature (°C)	-20~40°C											
CRI (Ra)	>80											

Dimension(mm):

DR-MW068/DR-MB068



DR-MW090/ DR-MB090



Warning



- * Power should be cut off before installation, maintenance or inspection.
- * Please install and use the light strictly according to the instruction.
- * Do not disassemble or remold the product by own to avoid accident of electric shock or fixture falling.
- * Working out of temp. range -20° C ~ +40° C will shorten the lifetime of luminaries.