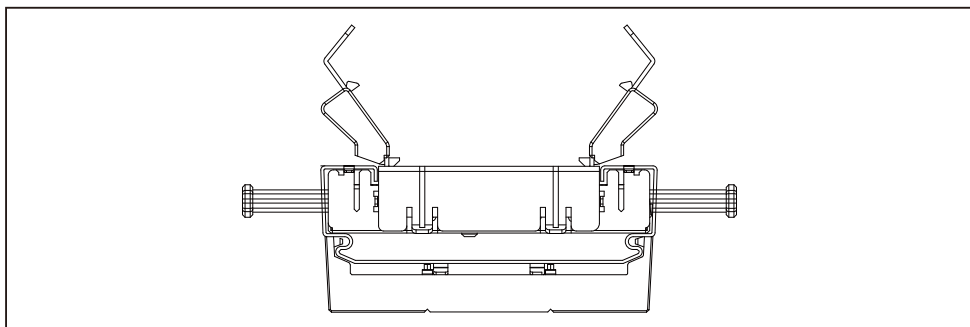
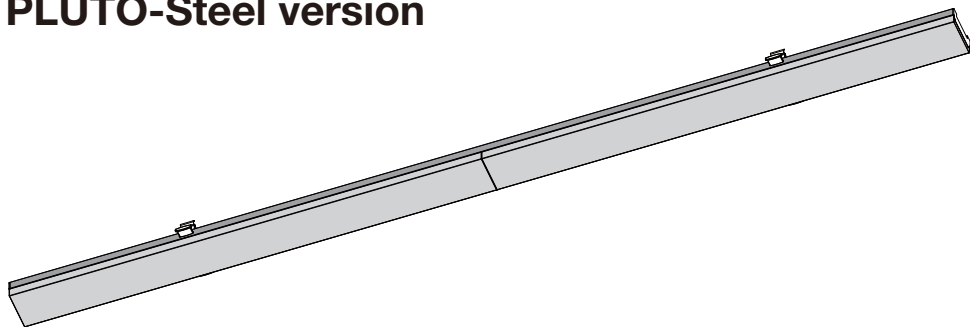
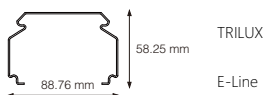


PLUTO-Steel version

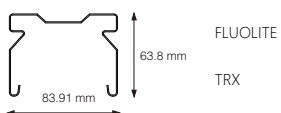


Compatible trunking list

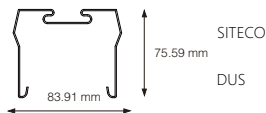
1



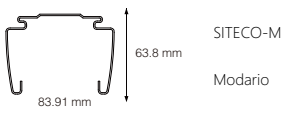
2



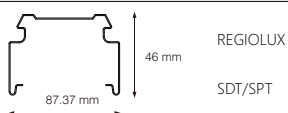
3



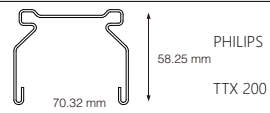
4



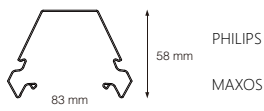
5



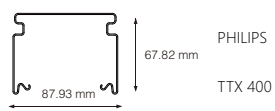
6

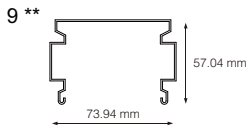


7

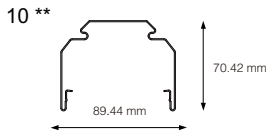


8

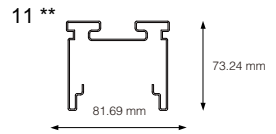




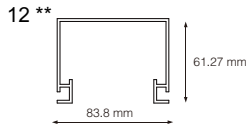
ZUMTOBEL
ZX1-ZX2



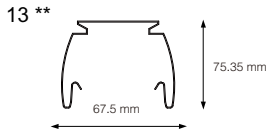
RIDI
VLG/VLT/SLG



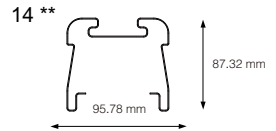
LITE
LICHT



VEKO
PNR



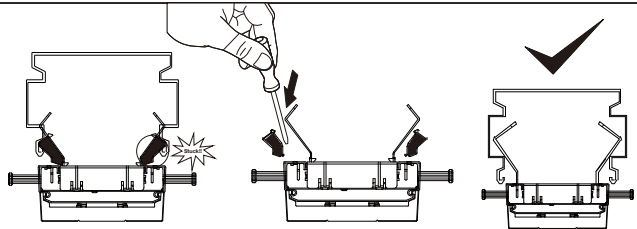
LUDWIG
TR50W



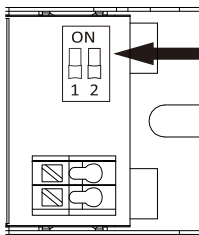
REGIOLUX
SMT/SPT

**

9	ZUMTOBEL	ZX1-ZX2
10	RIDI	VLG/VLT/SLG
11	LITE	LICHT
12	VEKO	PNR
13	LUDWIG	TR50W
14	REGIOLUX	SMT

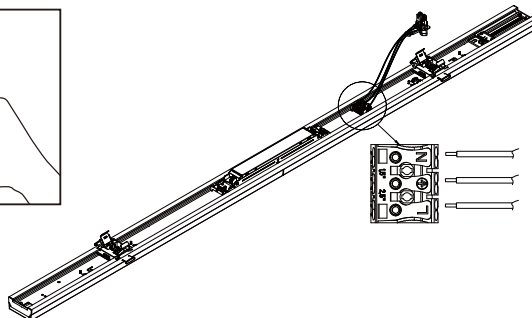
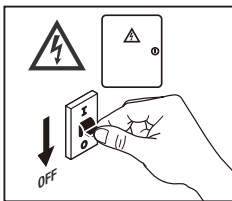


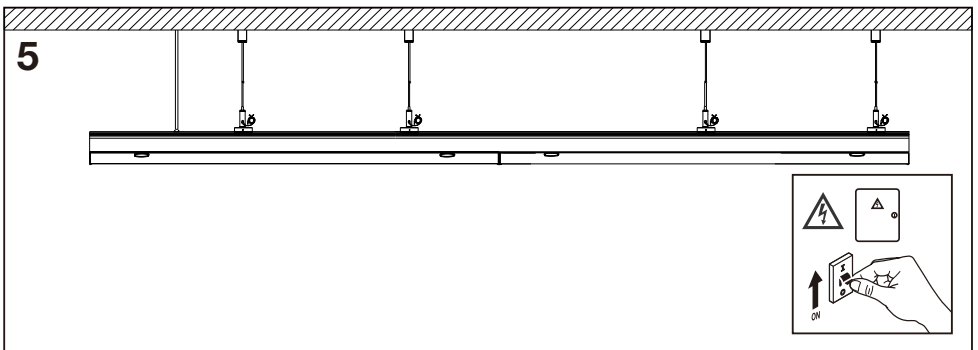
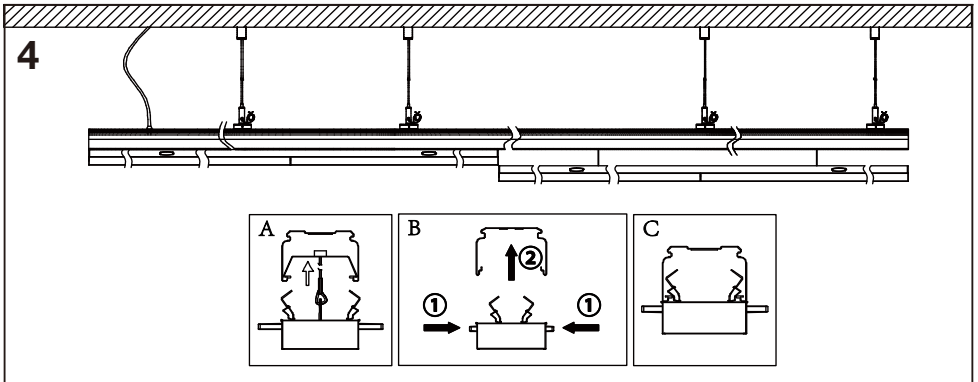
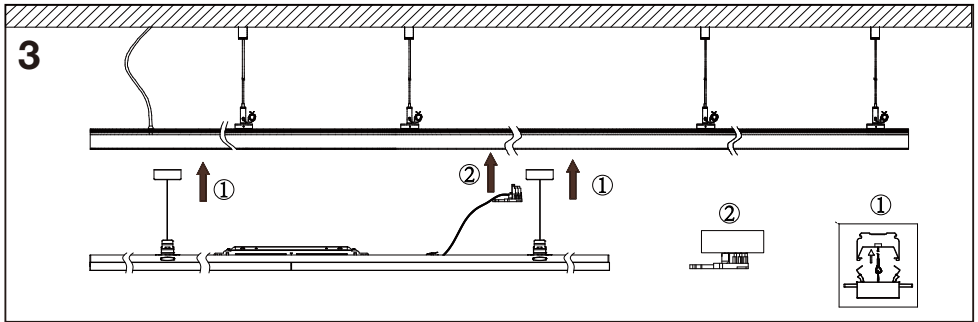
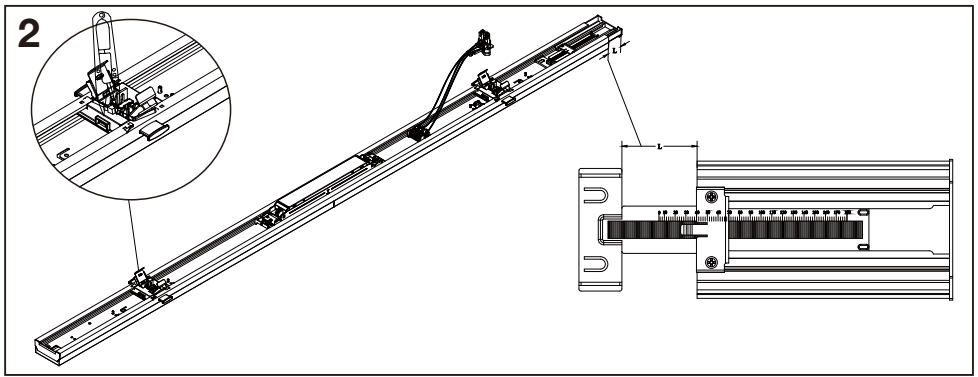
ON/OFF

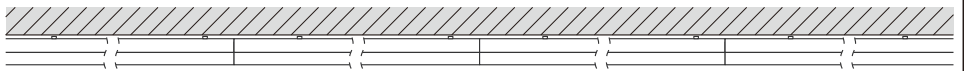


PI	I rated	1	2
31W	200mA	—	—
40W	250mA	ON	—
48W	300mA	—	ON
56W	350mA	ON	ON

1










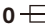



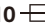
1x PLUTO

2x PLUTO

...

nx PLUTO

PLUTO ON/OFF

B32 	B25 	B16 	B10 	Inrush current	Inrush Charge Time
32	25	16	10	35.7 A	134.68 μ s
C32 	C25 	C16 	C10 	Inrush current	Inrush Charge Time
32	25	16	10	35.7 A	134.68 μ s