

## Data sheet

Art.No.: 92.232.3007.1

cable assembly GST18i3K1BD 15 30SW

gesis® CLASSIC mains connection cable, number of poles 3, rated voltage 250 V, rated current 16 A, cable type H05VV-F, fire class Eca, total length 3 m, nominal cross section conductor 1.5 mm<sup>2</sup>, color of coding/ contact carrier black



|            |               |
|------------|---------------|
| Art.No.    | 92.232.3007.1 |
| EAN        | 4015573318540 |
| Order Unit | 1             |

certificates / approvals



## Technical data

### general

|  |                                  |
|--|----------------------------------|
| rated current                            | 16 A                             |
| rated voltage                            | 250 V                            |
| rated impulse voltage                    | 4 kV                             |
| pollution degree                         | 2                                |
| mechanical coding                        | code 1                           |
| continuity resistor                      | 35.2 mOhm                        |
| lockable                                 | self-locking (unlocking by tool) |
| color of coding/ contact carrier         | black                            |
| marking of poles                         | L, N, PE                         |
| color of housing inclusive strain relief | black                            |

### model

|                                 |                        |
|---------------------------------|------------------------|
| nominal cross section conductor | 1.5 mm <sup>2</sup>    |
| degree of protection (IP)       | IP20                   |
| cable type                      | H05VV-F                |
| cable color                     | black                  |
| cable diameter max.             | 8.3 mm                 |
| version of cable                | female - power plug    |
| type of cord set                | mains connection cable |
| version cable end 1             | GST18i3 female         |
| version cable end 2             | CEE 7/7                |

### material

|  |            |
|--|------------|
| surface finish                               | tin-plated |
| halogen free                                 | no         |
| continuous temperature of cable              | 70 °C      |
| insulation components continuous temperature | 100 °C     |
| fire load                                    | 0 kWh/St   |
| fire class                                   | Eca        |

**dimensions**

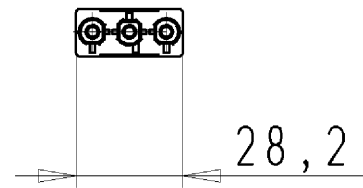
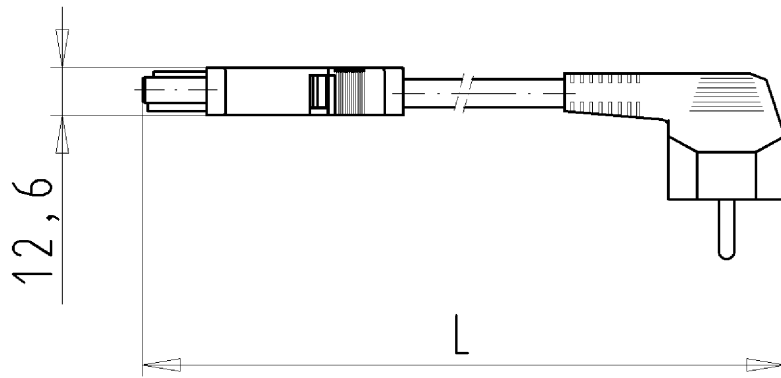
|              |     |
|--------------|-----|
| total length | 3 m |
|--------------|-----|

**classification**

|            |          |
|------------|----------|
| ECLASS 11  |          |
| ECLASS 8.1 | 27440604 |
| ETIM 9.0   | EC002587 |
| ETIM 8.0   | EC002587 |
| ETIM 7.0   | EC002587 |
| ETIM 6.0   | EC002587 |
| ETIM 5.0   | EC002587 |
| ETIM 4.0   | EC002587 |

**product compliance**

|                              |                    |
|------------------------------|--------------------|
| ROHS conformity status       | compliant/exempted |
| ROHS exceptions              | III-6(c)           |
| REACH-SVHC conformity status | Duty-To-Declare    |
| REACH-SVHC substances        | Lead               |
| REACH-SVHC CAS numbers       | 7439-92-1          |



KONFEKT. LEITUNG  
 92.232.0207.1 10W  
 08.04.2008 Weisensel F.  
 M 1:2

Weitergabe sowie Vervielfältigung dieses Dokuments, Verwertung und Mitteilung seines Inhalts sind verboten, soweit nicht ausdrücklich gestattet.  
 The reproduction, distribution and utilization of this document as well as the communication of its contents to others without express authorization is prohibited.