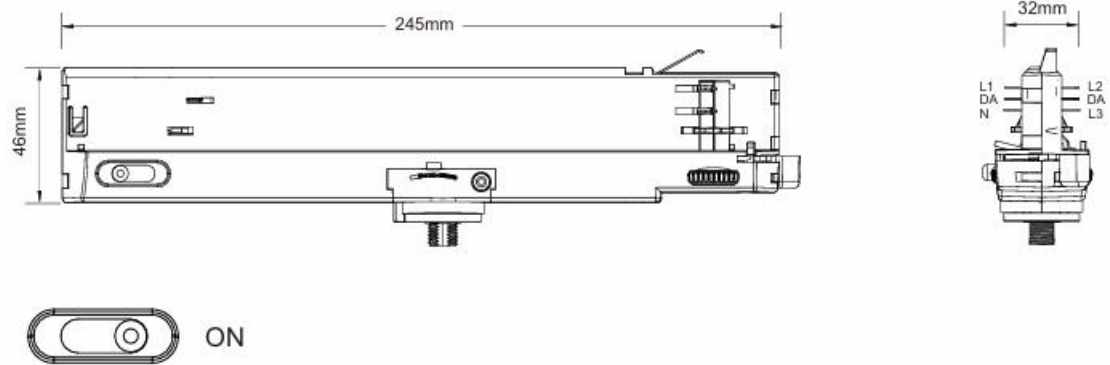


# 809027

## Installation manual:

size



### Mounting instruction

Max. allowed weight of complete luminaire: 5 kg (50 N).

It is valid for horizontal mounting of track system only. The mechanical key (A) is structure of providing fixed support.

The mechanical key (B) is anti-plug design.

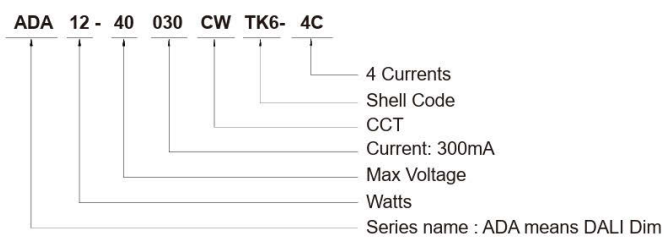
To open rotate the lever the opposite direction.

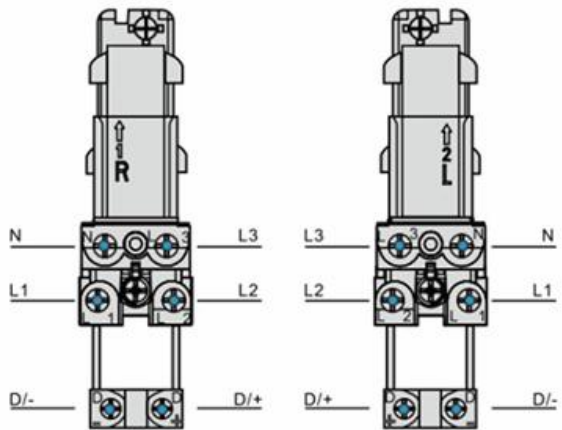
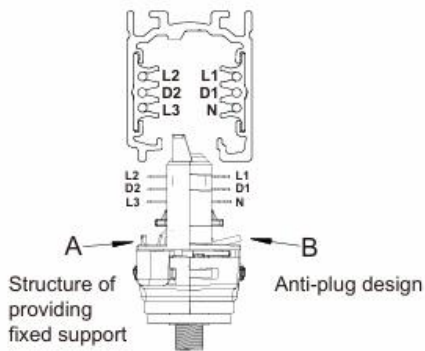
Insert the adapter into the track



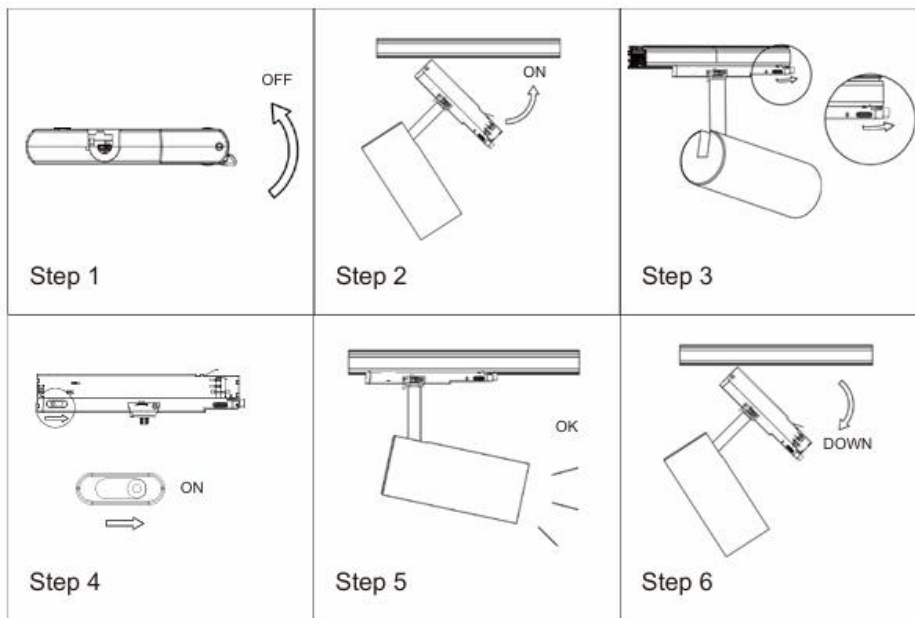
Do not stare at the light source

### Naming Rules





### Mounting luminaire

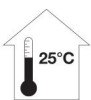


Caution: danger of electric shock

The luminaire should be installed and connected only by a qualified electrician.



Don't touch the LED!



Recommended room temperature: 25 °C.