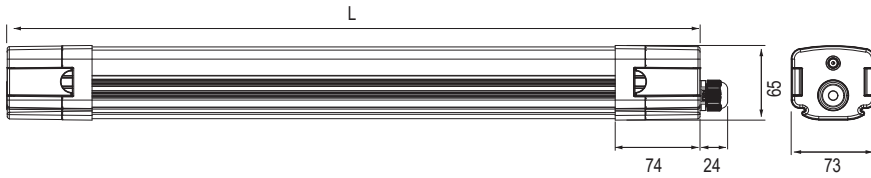


Tri-proof Light Installation guide

Product Size



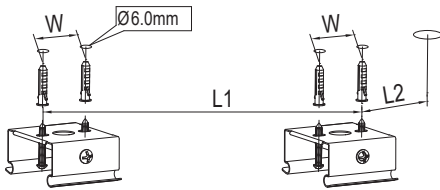
Product Name	L	W	H
2ft/60cm	600	73	65
810320	1200	73	65
810337	1500	73	65

Unit:mm

Installation Instructions

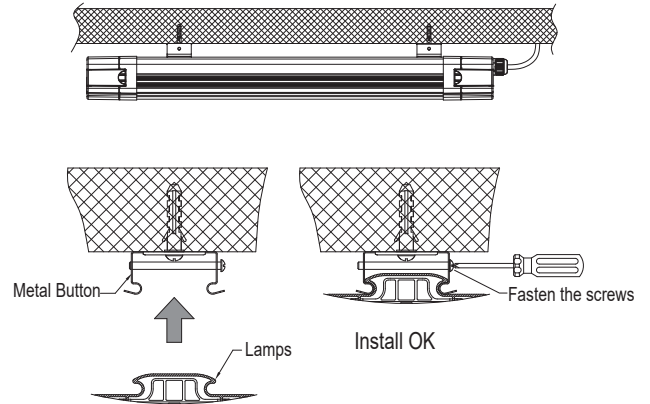
1.Surface mounting procedure:

- 1). Fix the supplied metal clips on to a mounting surface as per the installation below



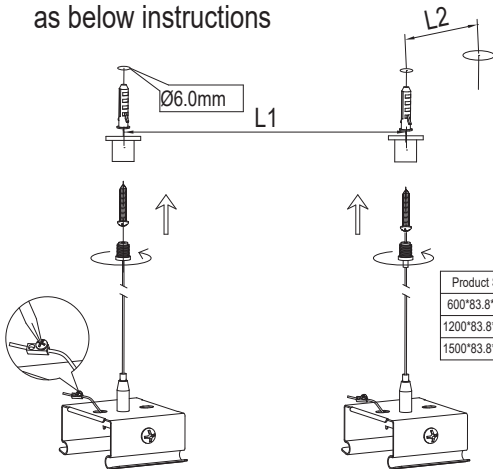
Product Size	Size W	Size L1	Size L2
600*73*65mm	35mm	450mm	200mm
1200*73*65mm	35mm	1050mm	200mm
1500*73*65mm	35mm	1350mm	200mm

- 2). Slide the lamps into the fitting



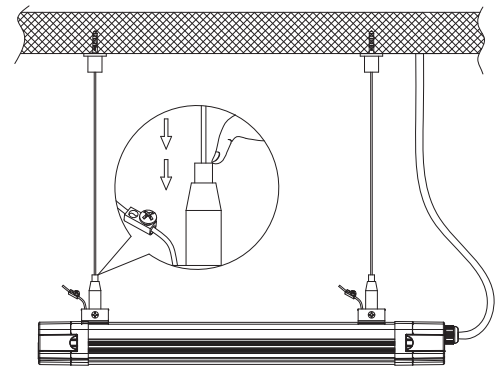
2.Suspension procedure:

- 1). Install the suspension rope onto the ceiling as below instructions

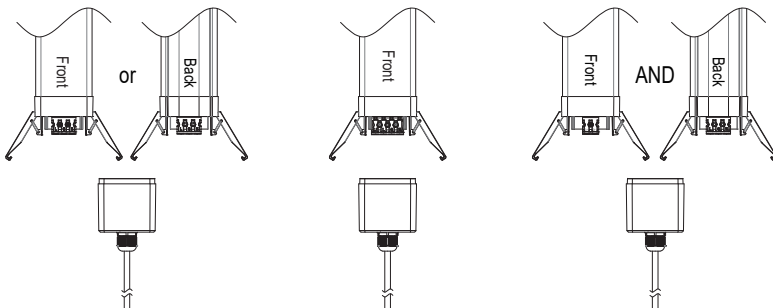


Product Size	Size W	Size L1	Size L2
600*83.8*72.8mm	35mm	450mm	200mm
1200*83.8*72.8mm	35mm	1050mm	200mm
1500*83.8*72.8mm	35mm	1350mm	200mm

- 2). Adjust the length of the suspension rope to reach the suitable height.

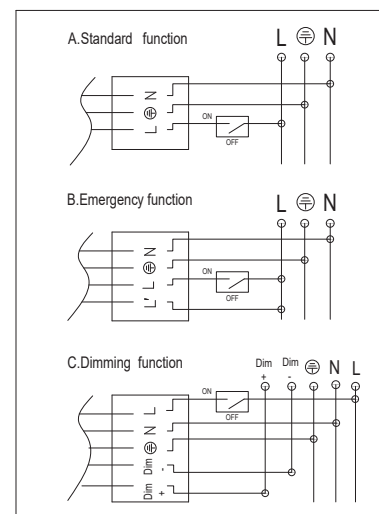


Wiring steps and requirements



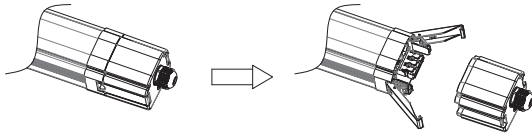
A) Standard on/off function B) Emergency function C) Dimming Function

- 1). Open the end cap.
- 2). Open the waterproof connector and access the protective cable , wiring diagram as shown on the right side and tighten the waterproof connector.

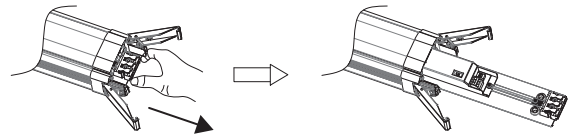


○ Tri-color light and Wattage switch adjustment instructions

Step1: Take the product out of the box, open the end cap.



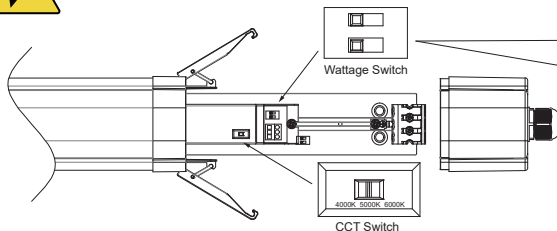
Step2: Hold the terminal block and pull out the sliding gear tray out of the lamp body.



Step3: Adjust the CCT switch and Wattage switch before wiring.



Power Off before CCT or Wattage Switch!



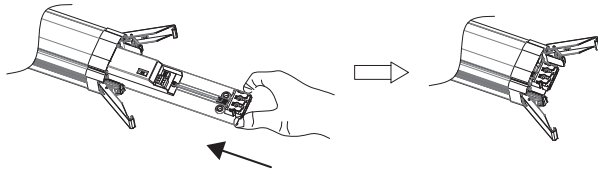
40W:

Prated (W)	Irated(mA)	Switch	
		1	2
23	200	-	-
29	250	-	ON
34	300	ON	-
40	350	ON	ON

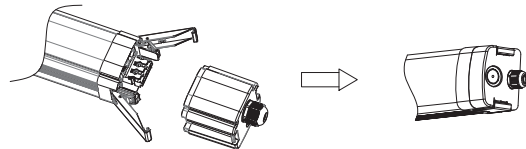
60W:

Prated (W)	Irated(mA)	Switch	
		1	2
34	200	-	-
42	250	-	ON
50	300	ON	-
60	350	ON	ON

Step4: Pull back the sliding gear tray.

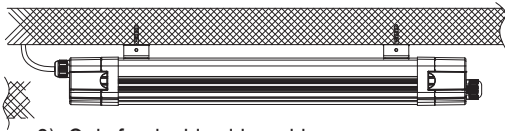


Step5: Fasten the end cap with the lamp body.

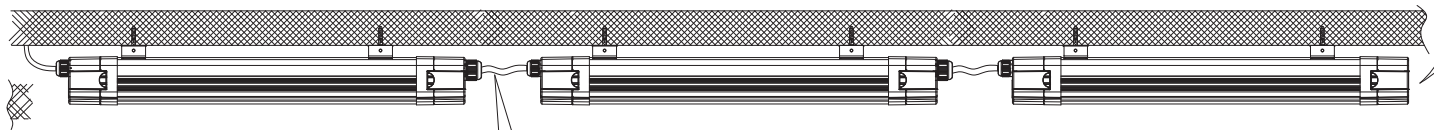


○ Connection method

1). Single side wiring :



2). Only for double sides wiring:



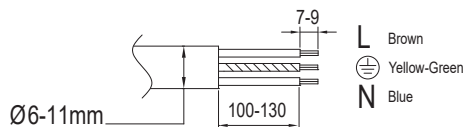
3). The end cap must be locked to ensure IP65 waterproof performance

○ Install Cautions:

1). Specification of the Connected Cable



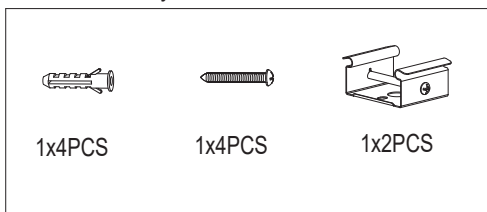
min.3x18AWG
max.3x14AWG



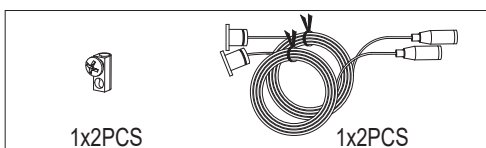
2). After the wiring, please make sure the end cap and waterproof connector be locked to ensure IP65 waterproof performance.

○ Parts included

1. Standard Accessory



2. Suspension Accessory (optional)



○ Necessary Tools

